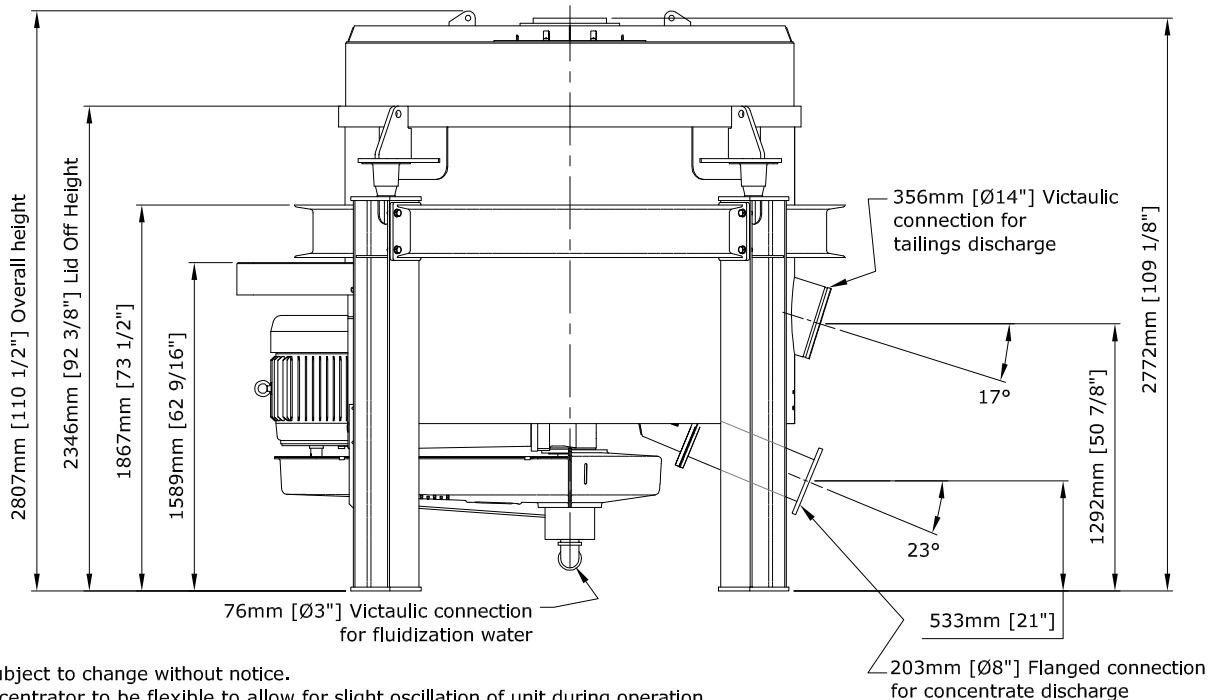
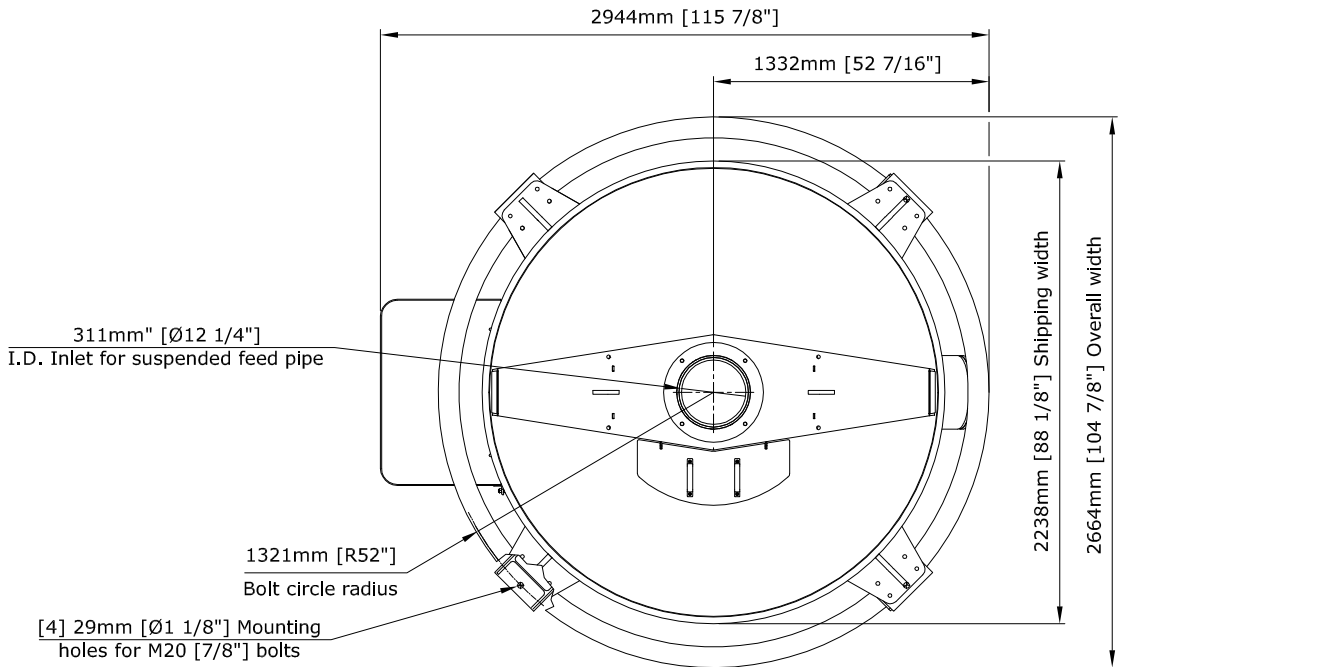


**Knelson Concentrator Model
 KC-QS48
 Specification Sheet**

Maximum Feed Capacity	- 400 tonnes/hr Solids
Maximum Total Volumetric Throughput	- 545 m ³ /hr (2400 USgpm)
Feed Size	- Maximum: 6mm (1/4"); Recommended: 1.7mm (1/16")
Feed Density	- 0 - 75% Solids/Weight
Minimum Air Flow Required (Auto Piping Only)	- 5.1 m ³ /hr (3ft ³ /min) @ 600 kPa (90 psi)
Concentrator Installation Weight	- 5225 kg (11500 lbs) (Not Including Piping)
Motor	- 30 - 75 kW (40 - 100 HP) - Electric

Cone Style	Fluidization Water m ³ /hr (USgpm)	Concentrate Weight kg (lb)	G-Force Range G's
G4	68 (300) - 86 (380)	59 (130) - 82 (180)	60
G5	41 (180) - 52 (230)	34 (75) - 48 (106)	60
G6	52 (230) - 76 (335)	59 (130) - 82 (180)	60 - 120
G7	28 (125) - 58 (225)	65 (144) - 107 (235)	60 - 200



Note:

- Specifications subject to change without notice.
- All piping to concentrator to be flexible to allow for slight oscillation of unit during operation.
- Consult FLSmidth Knelson for more detailed operating parameters for your specific application.